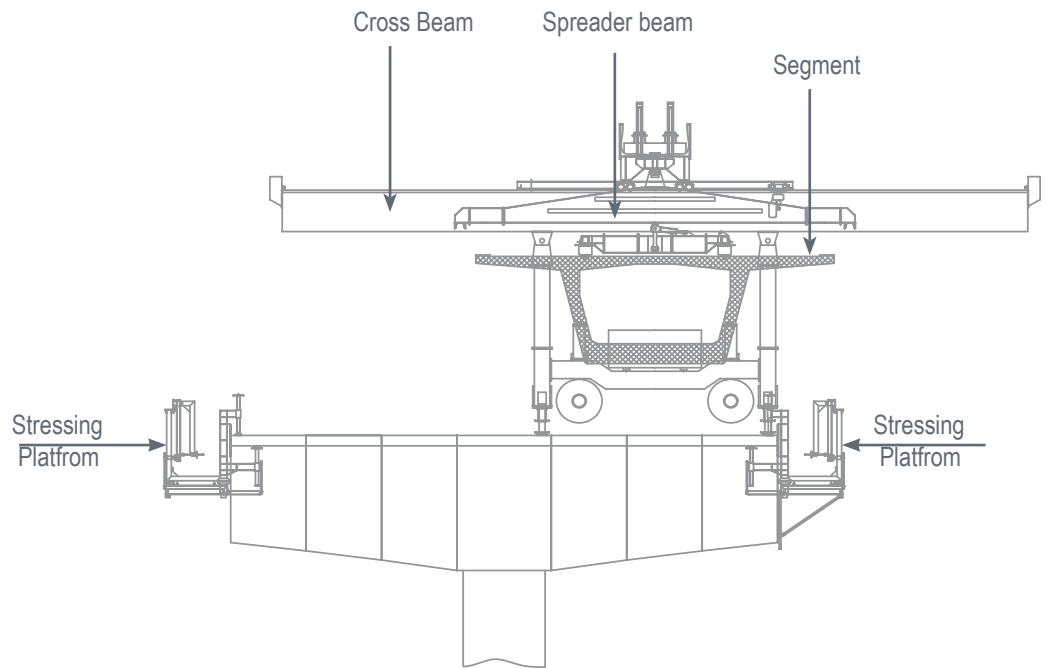


## Lifting Frames Segmental Construction

Following installation and commissioning, lifting frames can operate independently, providing both lifting and self-launching mechanisms. While the gantry crane is used for medium and large projects, this method is suitable for smaller, long span structures (30m to 170m). It is particularly versatile and applies both to precast segmental decks and cable-stayed decks (either precast, composite, or steel) regardless of span range and segment weight. The equipment can be reused for other projects.



High erection rate up to 2 pairs of segments per shift

Craneless method applicable both to precast segmental decks and cable-stayed decks

System Adapted to Large Segement

